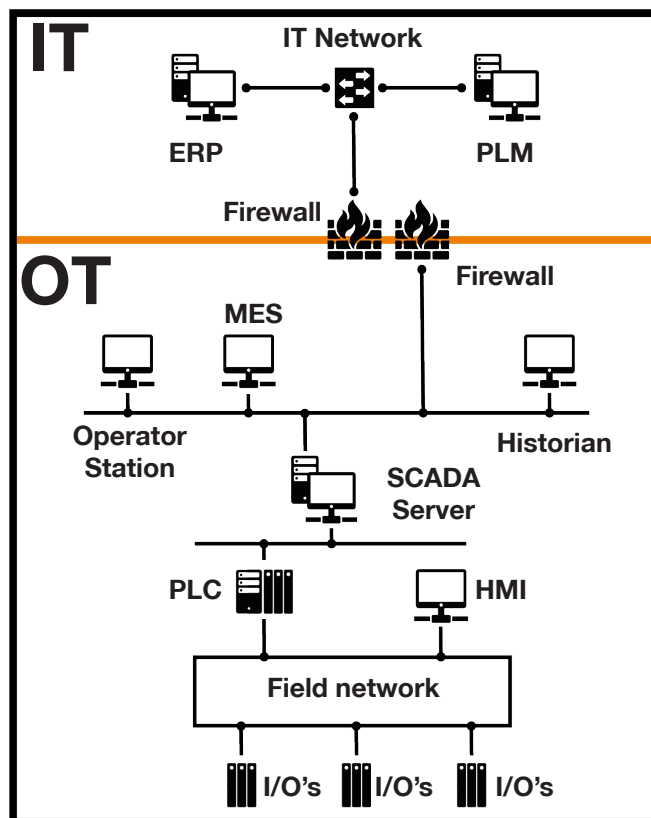


## IT/OT Segmentation

Reduce the size of your attack surface

Industry 4.0 is accelerating the convergence of traditional Information Technology (IT) with Operational Technology (OT). This new digital dependency has a significant impact for both environments regarding their potential exposure to cyber risks (malware infection, targeted attacks etc.).

Isolating OT from IT becomes paramount to maintaining productivity & ensuring the availability of production environments.



IT/OT segmentation services by Orange Cyberdefense

### How industry is digitizing

- ERP connections towards MES / MOM
- Real-time production KPI
- Automated production quality monitoring
- Automated batch management
- Data collection for the Industry of the Future
  - Digital twin
  - Machine learning
  - Artificial Intelligence
- Maintenance management (CMMS)



# Orange Cyberdefense IT/OT segmentation approach



## Analyze

Identify the areas and data flows to segment based on ICS mapping or inventory



## Define

Set the security policy and filtering rules



## Deploy

Approve & implement the defined rules



## Train

Transfer skills to customer teams

### Key features

- Next Gen IPS & anti-malware
- Data flows authentication
- Application control
- Security gateway
- Centralized management

### Key benefits

- Reduce the potential attack surface
- Maintain the integrity of operations
- Control IT/OT interactions
- Ensure high availability of the solution
- Validation of final level of security
- SIEM-compatible recommendations

### Why Orange Cyberdefense

- 200+ in-house OT experts
- European cybersecurity leader
- Industrial Security alliance with key European players ensuring fit-for-purpose services and solutions
- OT security services as part of a holistic portfolio including security protection, detection and response solutions